

1/4" HINGED HEAD RATCHET | E030602

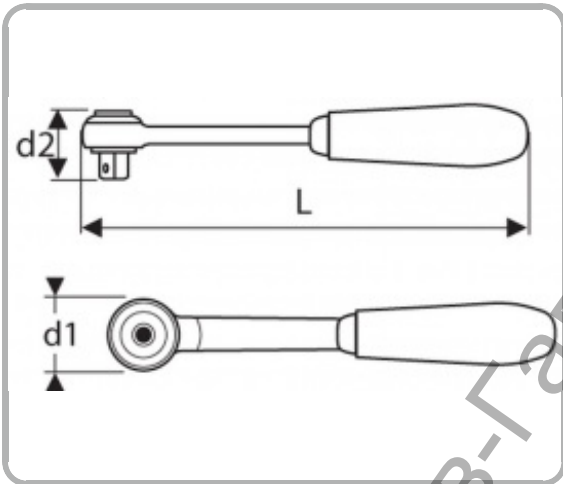


Description

- ISO 3315 - DIN 3122 - ISO 1174-1
- 72 tooth mechanism.
- 5° increment.
- Compact and angled head for easier access.
- High Chrome finish.
- Ergonomic bimaterial handle.

Information

EAN	3258950306025
d1 [mm]	31.6
d2 [mm]	23.5
L [mm]	150,5
Conditioning	1
[g]	130



Ташев-Галвинг ООД
www.tashev-galving.com